

NOTES:

- 1) MATERIAL: ALUMINUM 6061T ALLOY
- 2) FINISH: ELECTROLESS NICKEL PLATING
- 3) WEIGHT: <3.5 OZ (100gm MAX)
- 4) COMPONENT TO BE HANDLED WITH ANTISTATIC PROTECTION
- 5) WARRANTY VOID IF SEALS BROKEN
- 6) DO NOT EXCEED OPERATION LIMITS
- 7) OUTLINE SUBJECT TO UPDATE WITHOUT NOTICE

PIN FUNCTIONS:

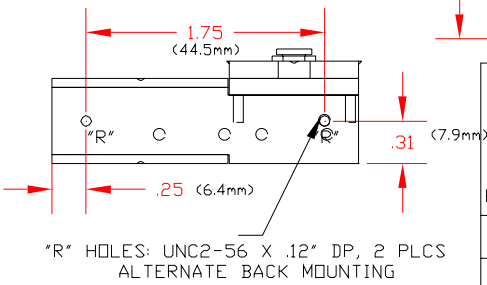
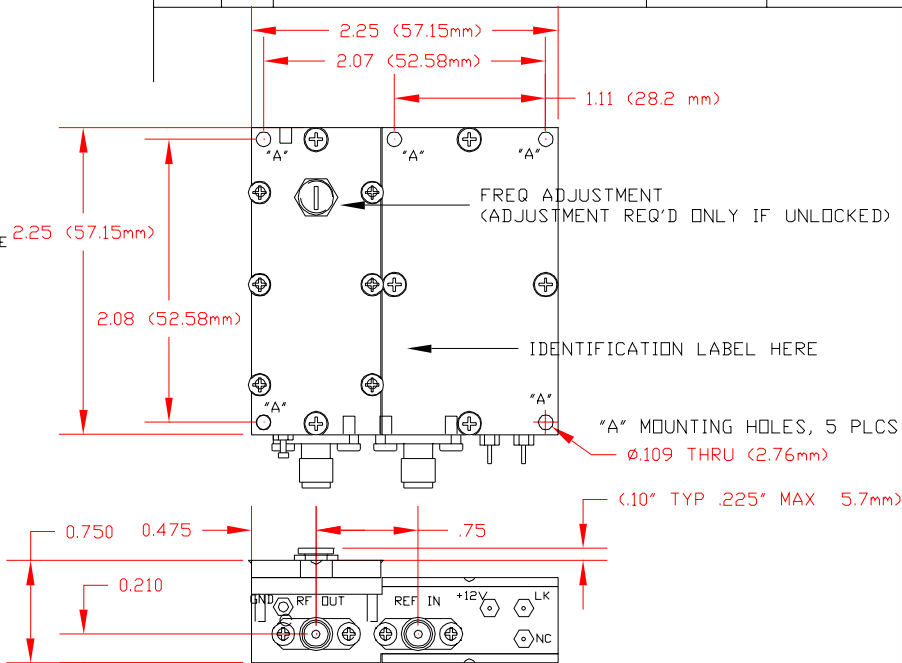
RF OUT:
 REF IN: (100 MHZ NOMINAL INPUT), OTHER FREQUENCIES AVAILABLE
 +12V BIAS VOLTAGE (+12V NOMINAL)
 LK LOCK DETECT, OPEN COLLECTOR, >2.5V LOCKED, <8V UNLOCKED
 N/C: NORMALLY NOT COLLECTED, VP FOR PHASE VOLTAGE OPTION

TURN ON PROCEDURES:

- 1) CONNECT EXTERNAL REFERENCE AT RECOMMENDED INPUT LEVEL
- 2) CONNECT RF OUT TO SPECTRUM ANALYZER
- 3) CONNECT DC GROUND TO GROUND LUG, APPLY DC POWER TO Vb PIN
- 4) VERIFY PHASE LOCKED FREQUENCY AND OUTPUT POWER
- 5) MONITOR LK (PHASE LOCKED INDICATION)
- 6) CONSULT FACTORY FOR ANY QUESTIONS

REVISIONS

ZONE	REV	DESCRIPTION	DATE	APPROVED
------	-----	-------------	------	----------



NEXYN CORPORATION SANTA CLARA, CA USA				
PHASE LOCKED DRO (3 - 9 GHz) (EXTERNAL REFERENCE)				
FILE#: DC200102_8				
F. WONG		SIZE A	FSCM NO.	DWG NO. DC200102
		SCALE 1/1	DATE 12/06/01	SHEET 1 OF 1
				REV 8